



QP154SX

Features

- Five year pump warranty
- Lightweight, portable
- Fast self priming from 8 metres
- Replaceable suction cover and discharge elbow (not QP1)
- QP154 series discharge can be rotated
- Available with Robin or Honda lightweight petrol engines (two year warranty)
- Skids with rubber feet and carry handle
- High Head on all models
- Robust open impeller
- Free strainer and coupling kit
- QP154SX kit includes a free 1" reducer to enable it to be used with 1" hose

Specifications

| Model | Engine | Type | HP | Max Head (m) | Max Flow (lpm) | Suction port | Discharge port | Self primes to (m) | Weight (kg) | Dimensions (WxHxD) | |
|---------------|--------|----------|--------|--------------|----------------|--------------|----------------|--------------------|-------------|--------------------|-------------|
| QP1/ECO 25 | Robin | 2 Stroke | Petrol | 1 | 42 | 110 | 1" | 1" | 7.5 | 5.3 | 214x277x256 |
| QP1/GX25 | Honda | 4 Stroke | Petrol | 1 | 40 | 120 | 1" | 1" | 7.5 | 5.3 | 212x290x316 |
| QP154SX GXH50 | Honda | 4 Stroke | Petrol | 2.5 | 60 | 210 | 1.5" | 1.5" | 8 | 9.8 | 274x375x398 |

Standard Accessories:

- Handle
- Coupling Kit
- Strainer



Optional Accessories:

- Heavy duty suction hose 38mm (1.5")
- Medium pressure lay-flat hose, 100 psi working pressure
- High flow aluminium diesel transfer fuel nozzle
- High Flow fuel meter
- Diesel compatible fuel transfer hose 25mm (1")
- Fire fighting nozzles



Product Description:

Aussie "Ultralite" lightweight 1" and 1½" pumps are designed to be portable and effective. They offer flows to 210 litres per minute and maximum heads of up to 60 metres. They use lightweight, high speed, top quality engines to provide exceptional efficiency right through the performance range. Only genuine Honda or Robin engines are used (backed by a two year engine Manufacturers warranty).

Applications:

- Water transfer
- Diesel fuel transfer (Nitrile seals standard)
- Mop up/fire fighting
- Irrigation
- Spraying

Benefits

- » Great quality ... use with confidence
- » Units weigh from only 5.3 kgs
- » Ready to pump in minimum amount of time
- » Easily replaced if thread damaged, easy to service check valve without dismantling pump
- » Bi-directional outlets provides convenience
- » Tried and proven with established service networks throughout the world
- » Feet absorb vibration - stable in operation
- » Can be used to transfer water or for mop up fire fighting duties
- » Passes small solids in suspension
- » Convenience ... cost saving
- » Makes pump adaptable

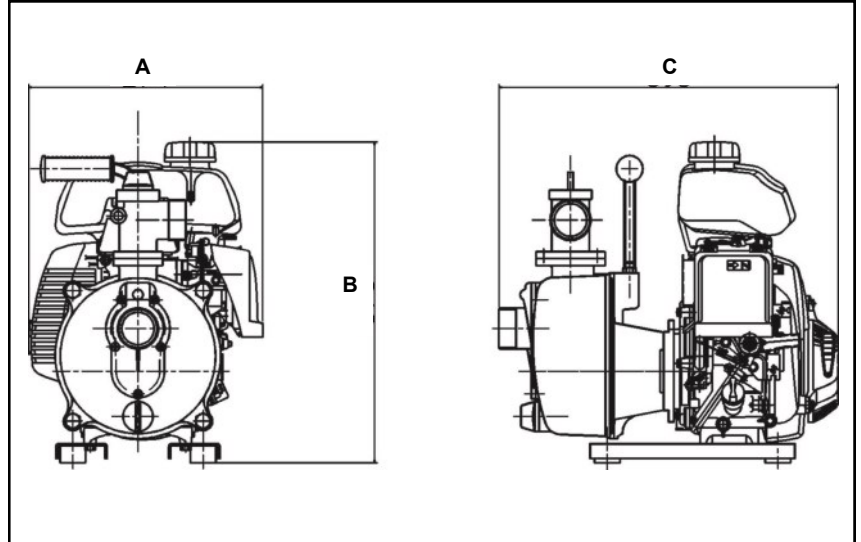
Due to our program of continuous product development the manufacturer reserves the right to alter specifications without notice.

FIVE YEAR PUMP END WARRANTY ON ALL AUSSIE QUIK PRIME PUMPS

Construction:

| | |
|-------------------------------------|-------------------------------------|
| Front case | Marine grade aluminium |
| Volute | Marine grade aluminium |
| Back plate | Marine grade aluminium |
| Mechanical seal | Carbon/ceramic |
| Outlet | Marine grade aluminium |
| Casing bolts | Zinc plated steel |
| Check valve | Nitrile rubber |
| Priming & drain plugs | Polycarbonate |
| Casing, priming & drain plug orings | Nitrile rubber |
| Finish | Brushed aluminium |
| Impeller | Marine grade aluminium, closed type |

Dimensions:



| Model | A (mm) | B (mm) | C (mm) | Weight (kg) |
|---------------------|--------|--------|--------|-------------|
| QP1/ECO 25 2 stroke | 214 | 277 | 256 | 5.3 |
| QP1/GX25 | 212 | 290 | 316 | 5.3 |
| QP154SX GXH50 | 274 | 375 | 398 | 9.8 |

Five Year Warranty:

Aussie Quik Prime pumps carry a unique pump end five year warranty. The products are guaranteed to be free of faulty workmanship or material for a period of five years after the date of sale to the end user.

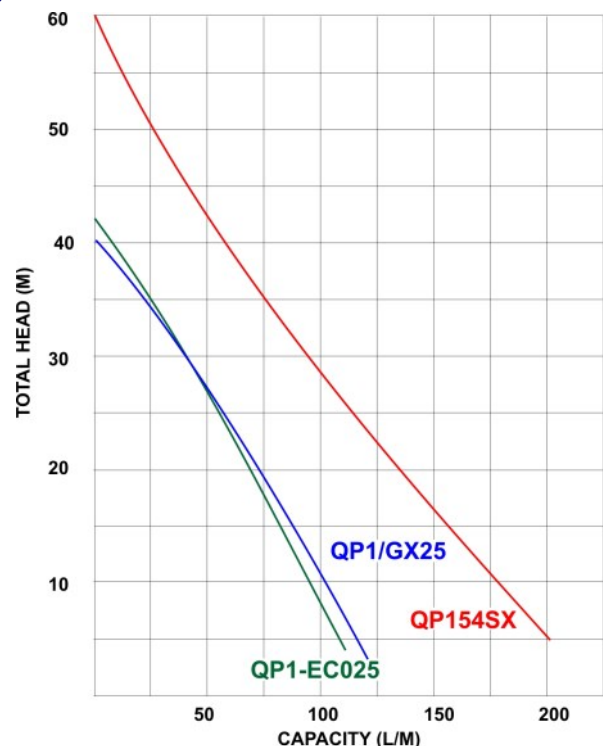
Only top quality genuine brand engines by reputable manufacturers are used. A two year engine manufacturer's warranty applies for Robin engines and three years for Hondas, administered by the engine manufacturer or it's duly appointed representative. All engines used by Australian Pump Industries are major international brands, serviced and supported not only in Australia and South Pacific but right throughout the world.



QP1 ECO 25

QP1 GX25

Performance



Due to our program of continuous product development the manufacturer reserves the right to alter specifications without notice.